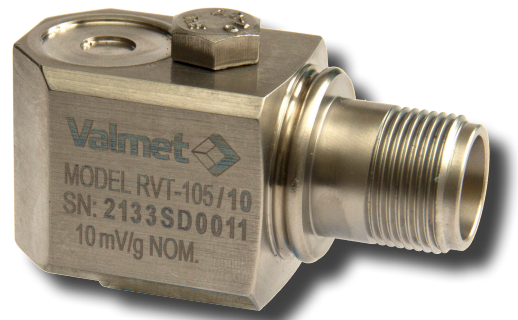


Acceleration sensor

RVT-105/10 Code: 600-1135

Key features

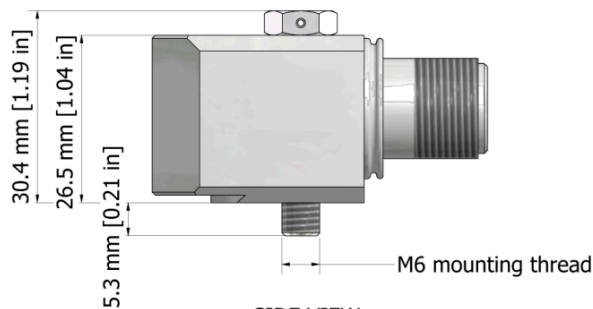
- Low sensitivity, 10 mV/g
- Rugged design
- Corrosion resistant
- Hermetic seal
- ESD protection
- Reverse wiring protection
- EMI/RFI shielded
- Side exit connector
- Case isolated



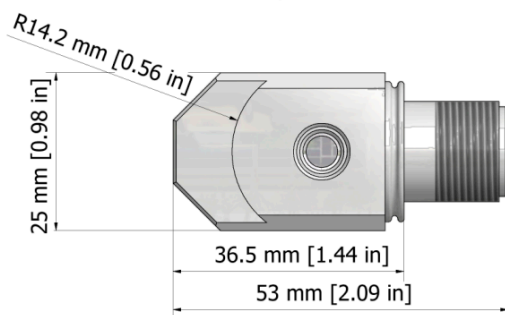
RVT-105/10 is a high-quality, low-profile, low-sensitivity industrial accelerometer for mechanical condition monitoring. It can be used with on-line systems as well as portable data collectors.

RVT-105/10 is designed for applications where high acceleration levels can occur, such as gearboxes. Sensor is suitable, for example, for the following industries:

- Pulp and Paper
- Mining and mineral industry
- Power generation
- Steel industry



SIDE VIEW

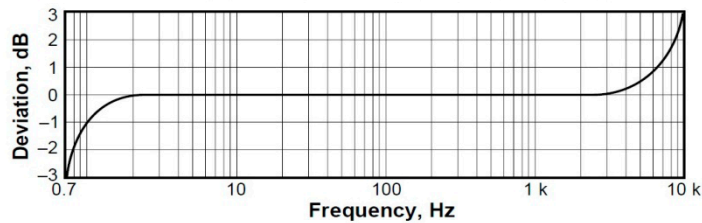


BOTTOM VIEW

RVT-105/10 specifications

Dynamic	Sensitivity, $\pm 10\%$, 25 °C	10 mV/g
	Acceleration range	500 g peak
	Amplitude nonlinearity	1%
	Frequency response	1...5 000 Hz
	$\pm 10\%$	0.5...10 000 Hz
	± 3 dB	
	Resonance frequency, mounted, min.	22 kHz
	Transverse sensitivity, max.	5% of axial
Electrical	Temperature response	
	-50 °C	-20%
	+120 °C	+10%
	Power requirement	
	Voltage source	18...30 VDC
	Bias current	2...10 mA
Environmental	Output impedance, max.	100 Ω
	Bias output voltage	12 VDC
	Grounding	Case isolated, internally shielded
	Temperature range	-50...+120 °C
Physical	Shock limit	5 000 g peak
	Sealing	Hermetic
	Sensing element design	PZT ceramic, shear
	Weight	145 g
	Case material	316L stainless steel
	Mounting	M6 captive screw
	Output connector	2 pin, MIL-C-5015 style
Pin A	Signal/power	
Pin B	Common	

TYPICAL FREQUENCY RESPONSE



TYPICAL TEMPERATURE RESPONSE

